

**Small Size, Accurate flow, Wide Range of Options, Chemically Resistant**

MPE Solenoid Dosing Pump (Electromagnetic Meter pump) is controlled by the microprocessor, the stroke length and the working frequency can be changed directly, accordingly lead to control the flow rate, the pump can dose and transfer many kinds of liquid accurately.

The Teflon diaphragm on the piston is activated by the electromagnet, the volume and the pressure between the diaphragm and the pump head will be changed periodic, the change of the pressure can turn on or turn off the suction and discharge valves, so the liquid can be dosed with the stable volume.

Change the working frequency by the push button or the stroke length of the pump, the flow capacity can match to the requirement of the end-user. The working of the pump is indicated by the LED.



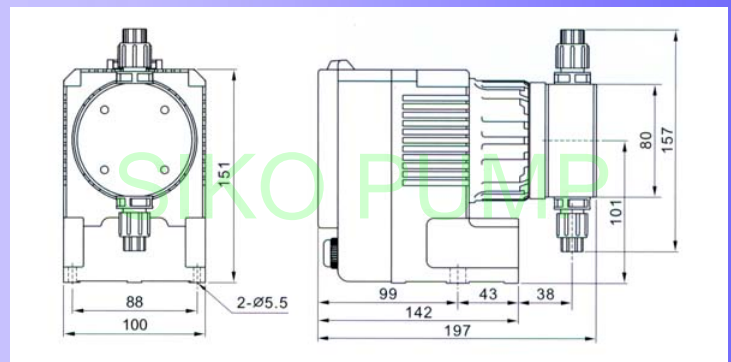
**Pump Material**

- ◆ Diaphragm: PTFE.
- ◆ Pump head: PVC, PP, SS316, PTFE.
- ◆ Suction and discharge valve: PVC, PP.
- ◆ Foot valve and the filter: PVC, PP
- ◆ .Injection valve: PVC, PP.
- ◆ Delivery tube: PVC, PE, PTFE.
- ◆ Seals: EPDM, FPM, PTFE.

**Specification**

Model	Capacity	Pressure	Stroke	Inlet/outlet
	L/H	Bar	Per min	Φmm
MPE1-1/16	1	16	0-90	6
MPE1-1.6/12	1.6	12	0-120	6
MPE1-2.5/10	2.5	10	0-150	6
MPE1-5/8	5	8	0-180	6
MPE1-8/6.5	8	6.5	0-180	6
MPE1-10/5	10	5	0-180	6
MPE1-14/4	14	4	0-180	6

**Size(mm)**



- ◆ Environment temperature: -10~45
- ◆ Power: 220V 50HZ-10%, +10%(110V, others)
- ◆ Insulation class: F
- ◆ Protection class: IP65
- ◆ Settle time: 0.5-100Hour

**Shanghai SIKO Pump Manufacturer Co., Ltd**

Add: No.518 Jinyuan Road(Jinyuan Industry Park), Shanghai, China

Tel: 0086-21-39109967, Fax: 0086-21-39109968

www.sikopump.com sales@sikopump.com